

- NOTES**
1. ALL DIMENSIONS ARE IN METRES UNLESS STATED OTHERWISE.
  2. THIS DRAWING IS BASED ON ORDNANCE SURVEY DATA.
  3. FURTHER DETAILS FOR EACH PLOT ARE IN THE STATEMENT OF REASONS AND SCHEDULE OF REFERENCE.
  4. PLANS FOR INDIVIDUAL PLOTS ARE AVAILABLE AT HIGHER SCALES. SEE DRAWINGS 60542201-LCC-LSI-GEN\_LO\_ZZ\_Z-DR-ZL-(0001 TO 0153).

**KEY**

	PLOT ACQUIRED FOR PERMANENT TITLE
	NEW RIGHTS AND INTERESTS TO BE ACQUIRED

Lower Hasan 37048(hh)

MINOR REVISION	DB	AJ	05/06/20	C01
FINAL CHECK AND APPROVE ISSUE	VH	AJ	17/06/20	A1

**PROJECT MANAGEMENT INITIALS**  
DESIGNED: DB CHECKED: AJ APPROVED: IV

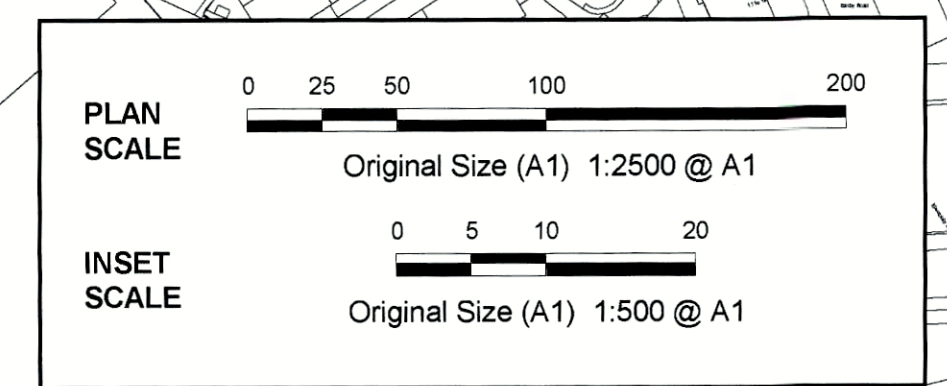
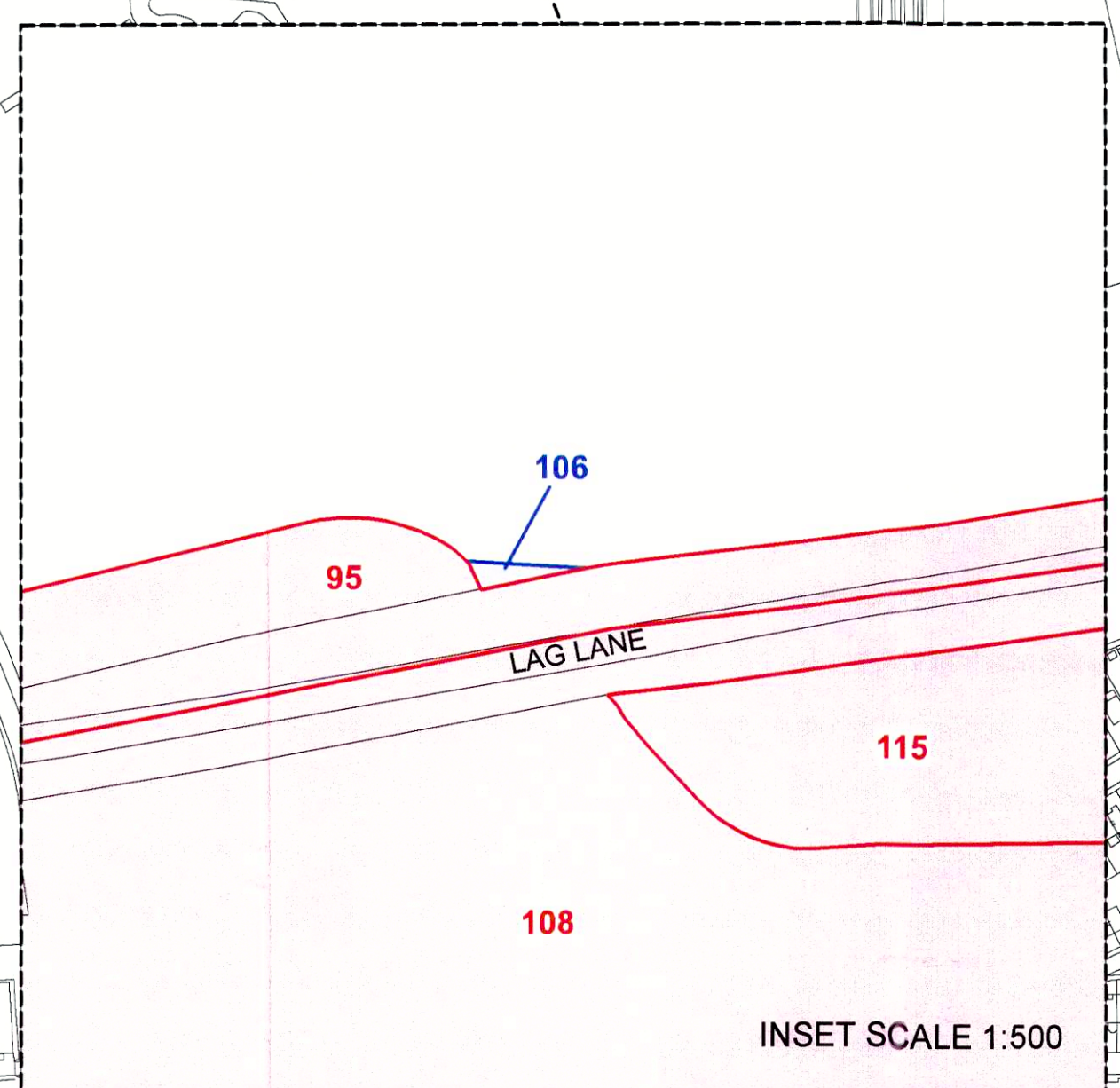
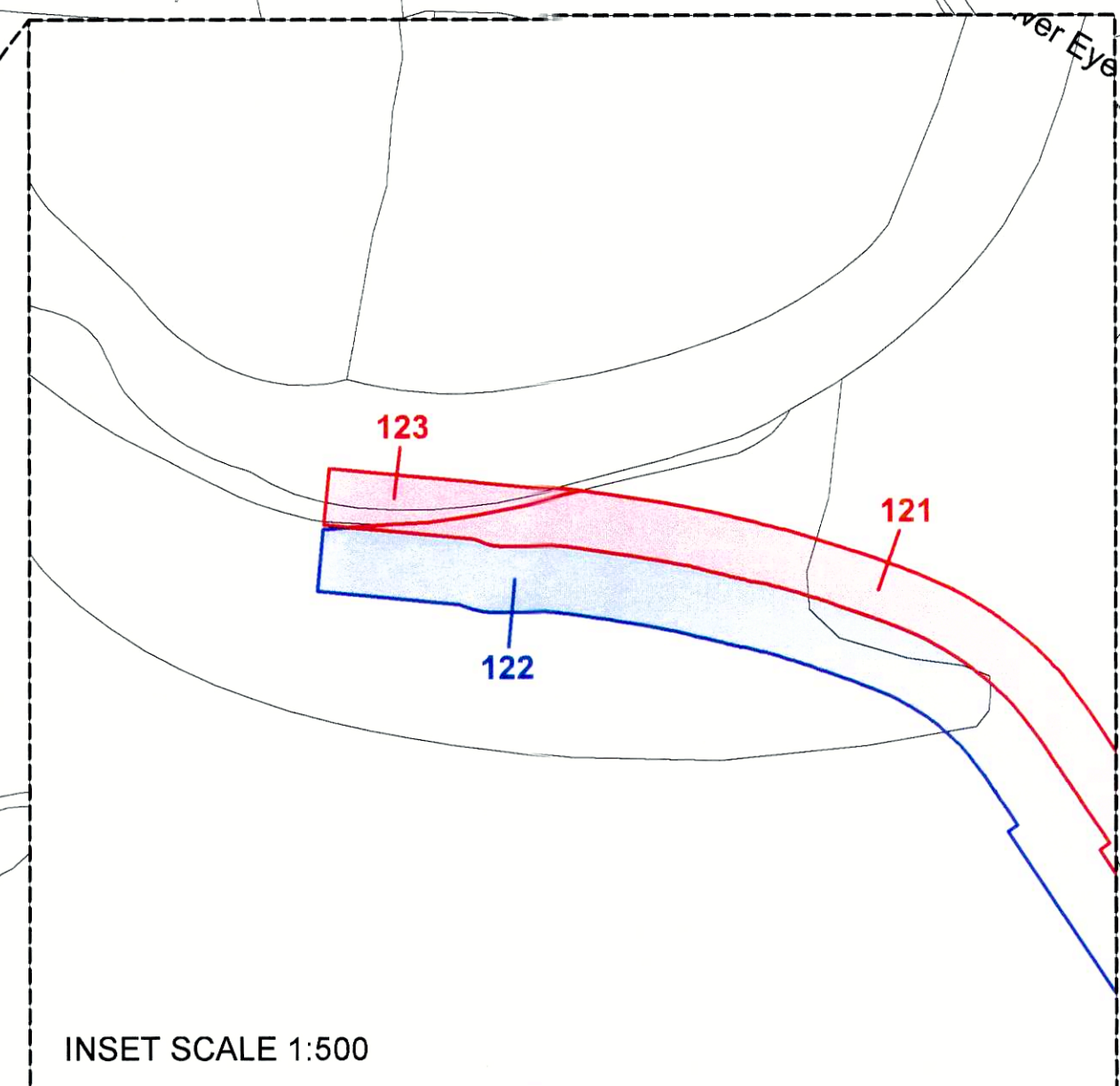
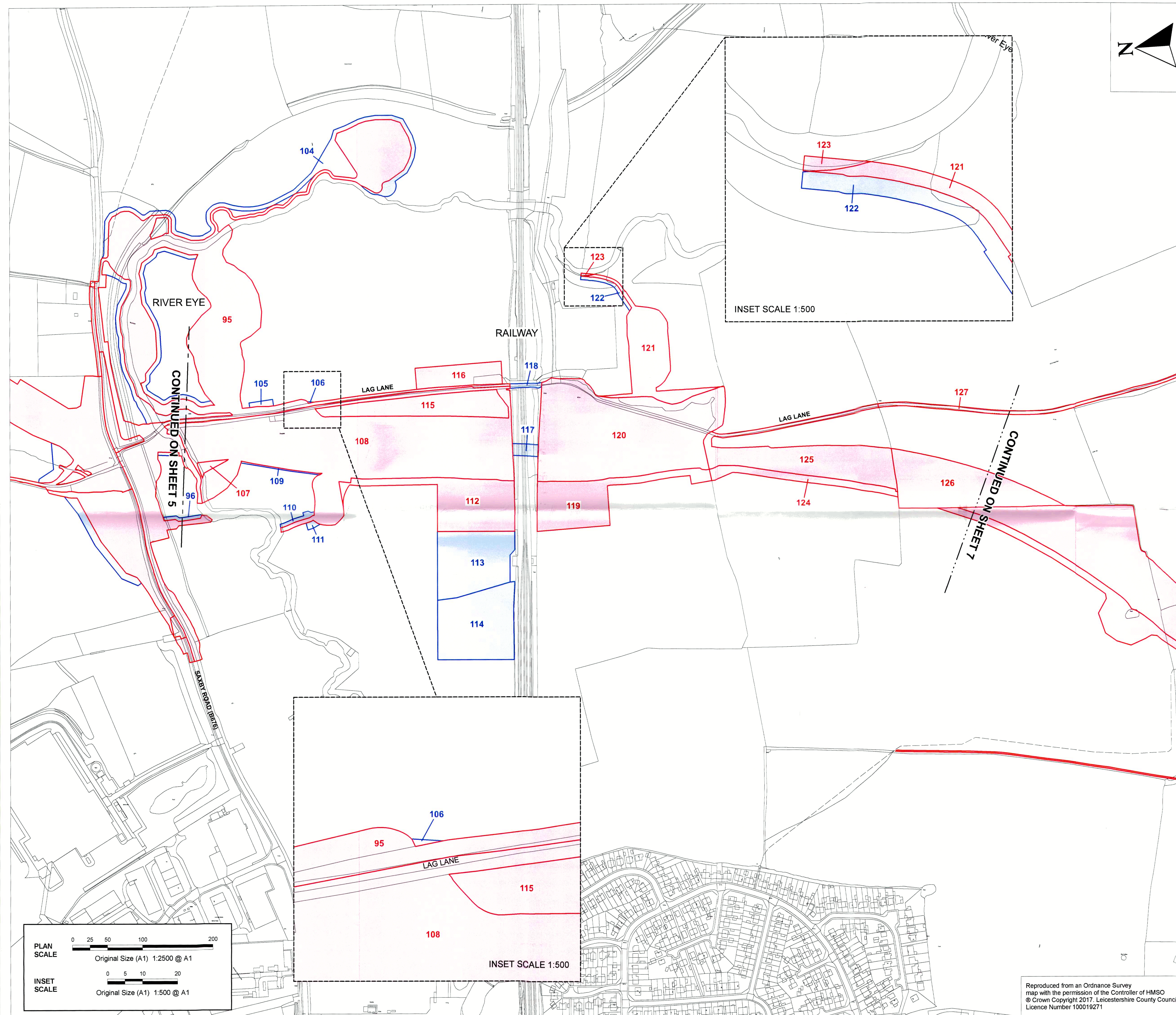
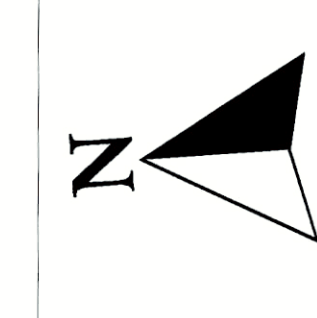
**INTERNAL PROJECT NUMBER** 60542201 **SCALE** 1:2500

**STATUS** APPROVED STAGE 1 **BS1192 SUITABILITY** A1

**SHEET TITLE**  
MAPS REFERRED TO IN THE LEICESTERSHIRE COUNTY COUNCIL (A606 NORTH & EAST MELTON MOWBRAY DISTRIBUTOR ROAD) COMPULSORY PURCHASE ORDER 2020.

PLAN 6 OF 7

**DRAWING NUMBER** 60542201-LCC-LSI-S5\_GEN\_ZZ\_Z-DR-ZL-0006 **REV** P01



Reproduced from an Ordnance Survey map with the permission of the Controller of HMSO © Crown Copyright 2017. Leicestershire County Council. Licence Number 100019271

This drawing has been prepared for the use of AECOM's client (LCC). It may not be used, modified, reproduced or relied upon by third parties, except as agreed by law. AECOM accepts no responsibility, and denies any liability, whatsoever, to any party that uses or relies on this drawing without AECOM's express written consent. Do not scale this document. All measurements must be obtained from the stated dimensions.